

Globe Motors™ DC Series Tubeaxial Cooling Fans Model No. D47T15

4.69" Sq. x 1.50"
(119 mm Sq. x 38 mm)
97-108 CFM
(46-51 L/Sec.)



Features

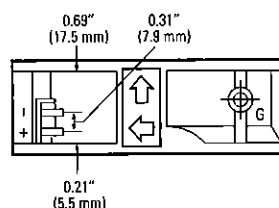
- Solid-state brushless motor design provides:
 - Auto restart
 - Low input power
 - Lower operating voltages
- Precision ball bearing system provides:
 - Longer life
 - Higher temperature extremes
 - Lower noise over time
 - Maximum shock and vibration resistance
- Designed to meet the rigid standards of UL, CSA, VDE, and CE.

Accessories:

- Finger guards
- Filters

General Specifications

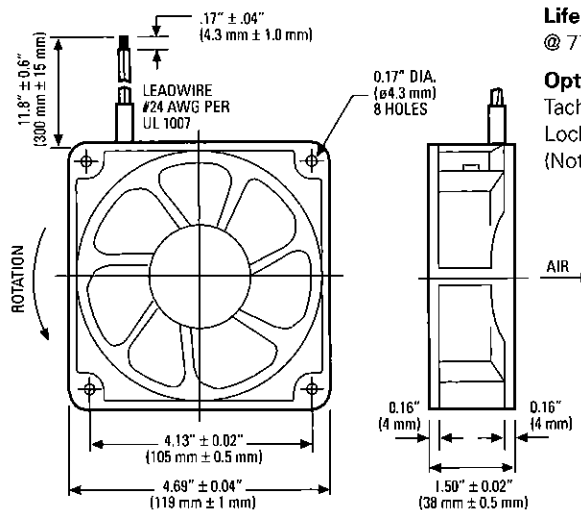
- Frame:** Reinforced polybutylene plastic (UL94V-0 flame retardant)
- Impeller:** Reinforced polybutylene plastic (UL94V-0 rating)
- Bearings:** Precision, life-lubricated ball bearings
- Insulation:** Class A integral ground system rated @ 248°F (120°C)
- Weight:** 9.2 ozs. (260 grams)
- Temperature Range:** 14° to 158°F (-10° to 70°C)
- Insulation Resistance:** 10 megohms minimum @ 500 VDC
- Dielectric Strength:** 500 VAC for 60 seconds
- Safety Protection:** Electronic locked rotor protected; polarity protected
- Life Expectancy:** 75,000 hours minimum @ 77°F (25°C)
- Options:** (Consult Factory)
 - Tachometer output
 - Locked rotor sensor output (Not available on 48 VDC)



Terminals

- 2 Solder Terminals
- Centers: .312" (7.92 mm)
- Thickness: .02" (.51 mm)
- Width: .120" (3.05 mm)
- Length: .31" (7.8 mm)

RED LEAD IS POSITIVE (+)
BLACK LEAD IS NEGATIVE (-)
WHITE LEAD IS TACHOMETER/SENSOR



Globe Motors Part Number	Nominal Voltage VDC	Voltage Operating Range VDC	Watts Nom./Max.	Line Amps Nom./Max.	RPM	Acoustic Noise dBA	Airflow (Min.)	
							CFM	Liters per Second
D47-B15A-04T2-100	12	6.0 / 13.8	4.80 / 6.24	0.40 / 0.52	2650	41	97	45.8
D47-B15A-04W2-100	12	6.0 / 13.8	4.80 / 6.24	0.40 / 0.52	2650	41	97	45.8
D47-B15A-04T3-100	12	6.0 / 13.8	6.60 / 8.64	0.55 / 0.72	2950	43	108	51.0
D47-B15A-04W3-100	12	6.0 / 13.8	6.60 / 8.64	0.55 / 0.72	2950	43	108	51.0
D47-B15A-04T4-100	12	6.0 / 13.8	8.40 / 10.80	0.70 / 0.90	3200	46	118	55.7
D47-B15A-04W4-100	12	6.0 / 13.8	8.40 / 10.80	0.70 / 0.90	3200	46	118	55.7
D47-B15A-05T2-100	24	10.0 / 27.6	5.04 / 6.72	0.21 / 0.28	2650	41	97	45.8
D47-B15A-05W2-100	24	10.0 / 27.6	5.04 / 6.72	0.21 / 0.28	2650	41	97	45.8
D47-B15A-05T3-100	24	10.0 / 27.6	7.44 / 9.60	0.31 / 0.40	2950	43	108	51.0
D47-B15A-05W3-100	24	10.0 / 27.6	7.44 / 9.60	0.31 / 0.40	2950	43	108	51.0
D47-B15A-05T4-100	24	10.0 / 27.6	8.40 / 11.04	0.35 / 0.46	3200	46	118	55.7
D47-B15A-05W4-100	24	10.0 / 27.6	8.40 / 11.04	0.35 / 0.46	3200	46	118	55.7
D47-B15A-07T3-100	48	25.0 / 55.2	7.68 / 10.08	0.16 / 0.21	2950	43	108	51.0
D47-B15A-07W3-100	48	25.0 / 55.2	7.68 / 10.08	0.16 / 0.21	2950	43	108	51.0

*Note: For tachometer output models, substitute "B" in part number. Part Number D47-B15"A"-04W2-100 would change to D47-B15"B"-04W2-100. Minimum order quantity may apply.
For locked rotor sensor output models, substitute "C" in part number. Part Number D47-B15"A"-04W2-100 would change to D47-B15"C"-04W2-100. Minimum order quantity may apply.